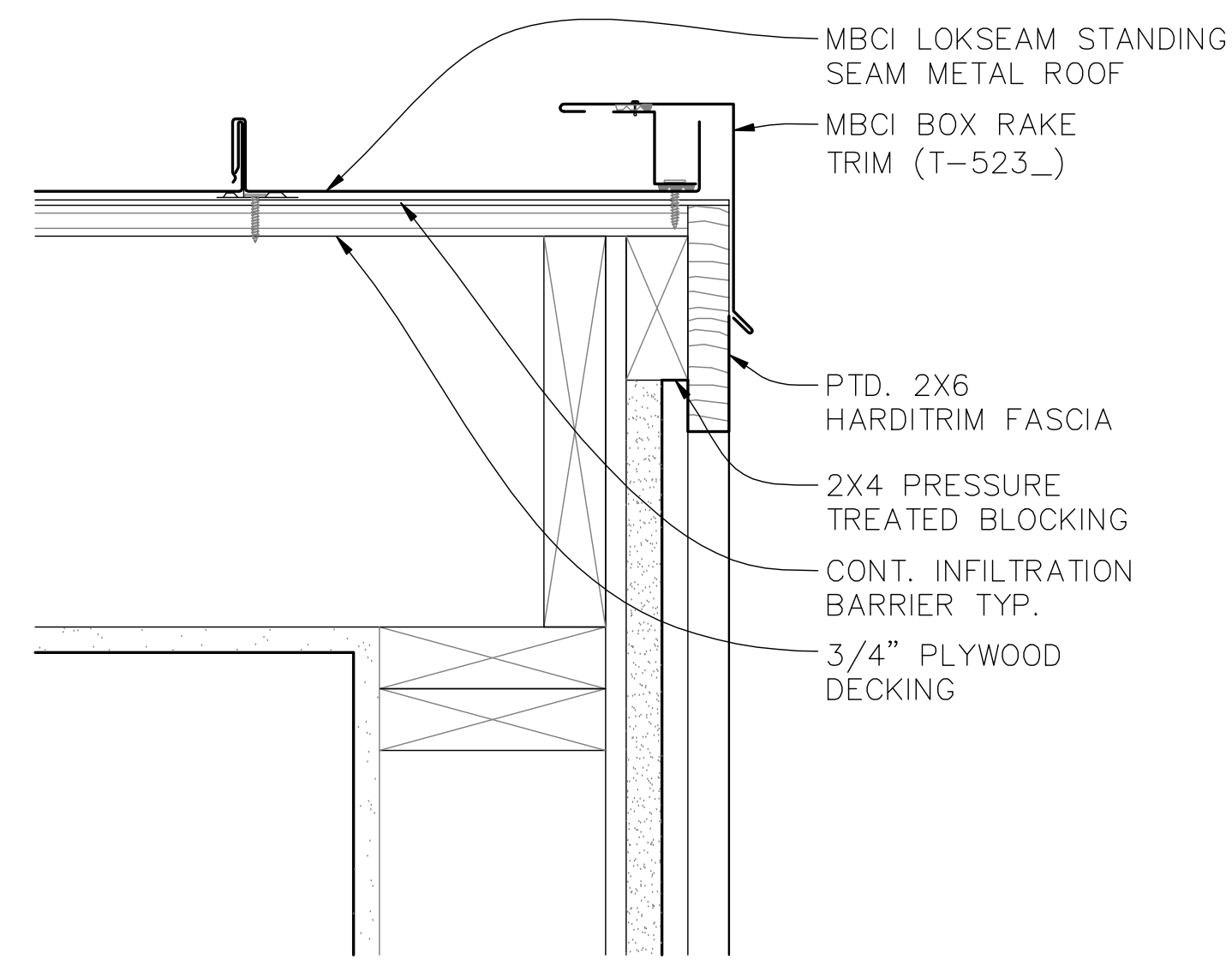
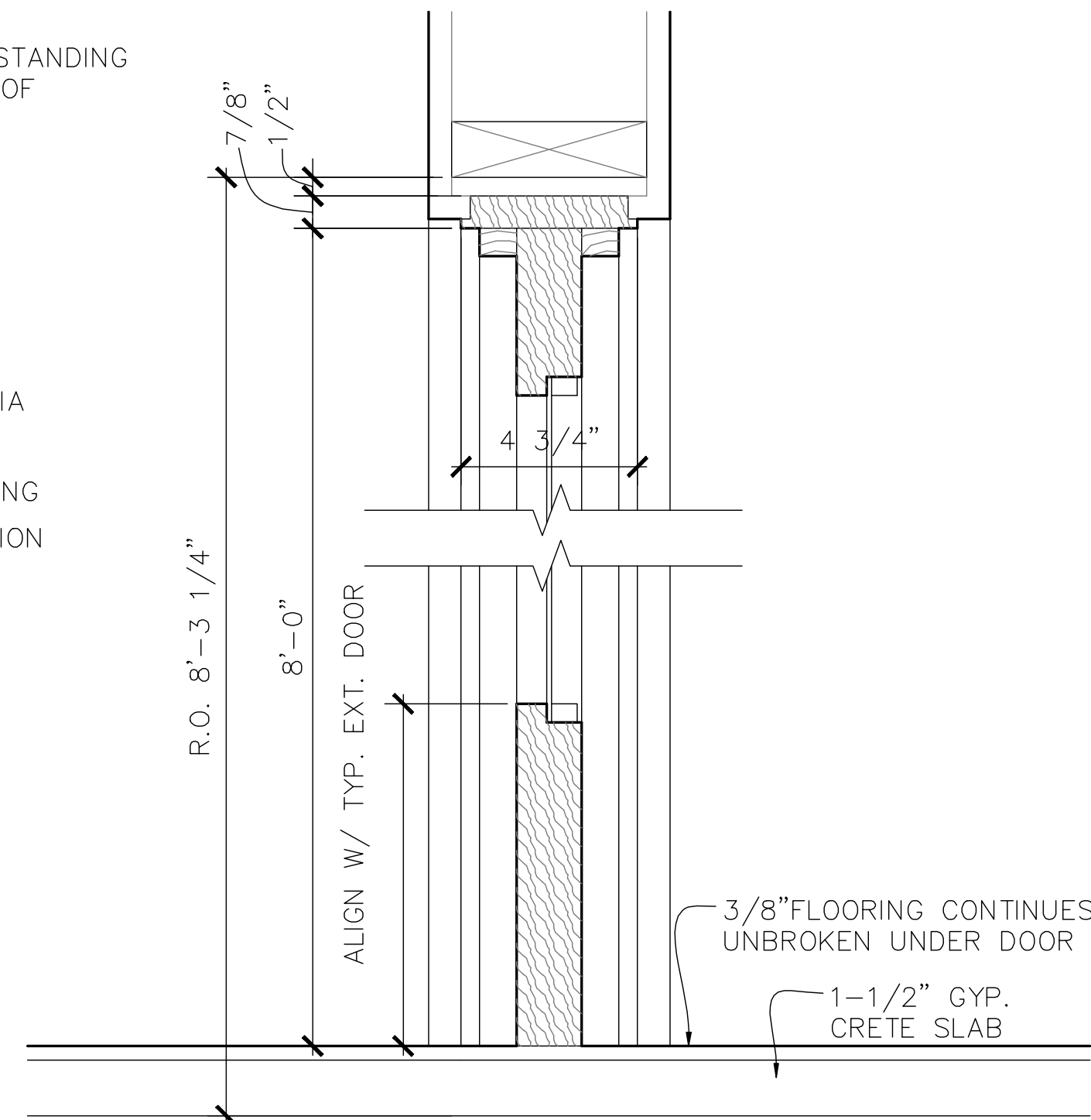


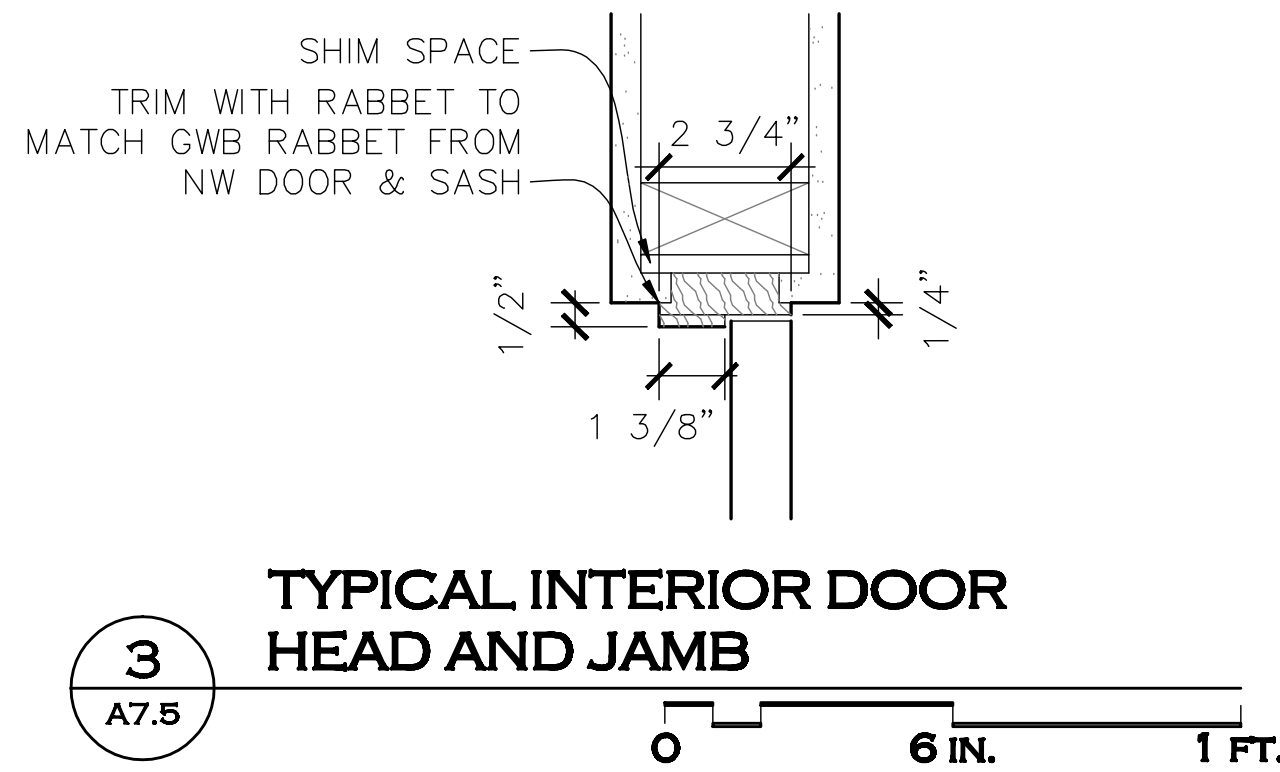
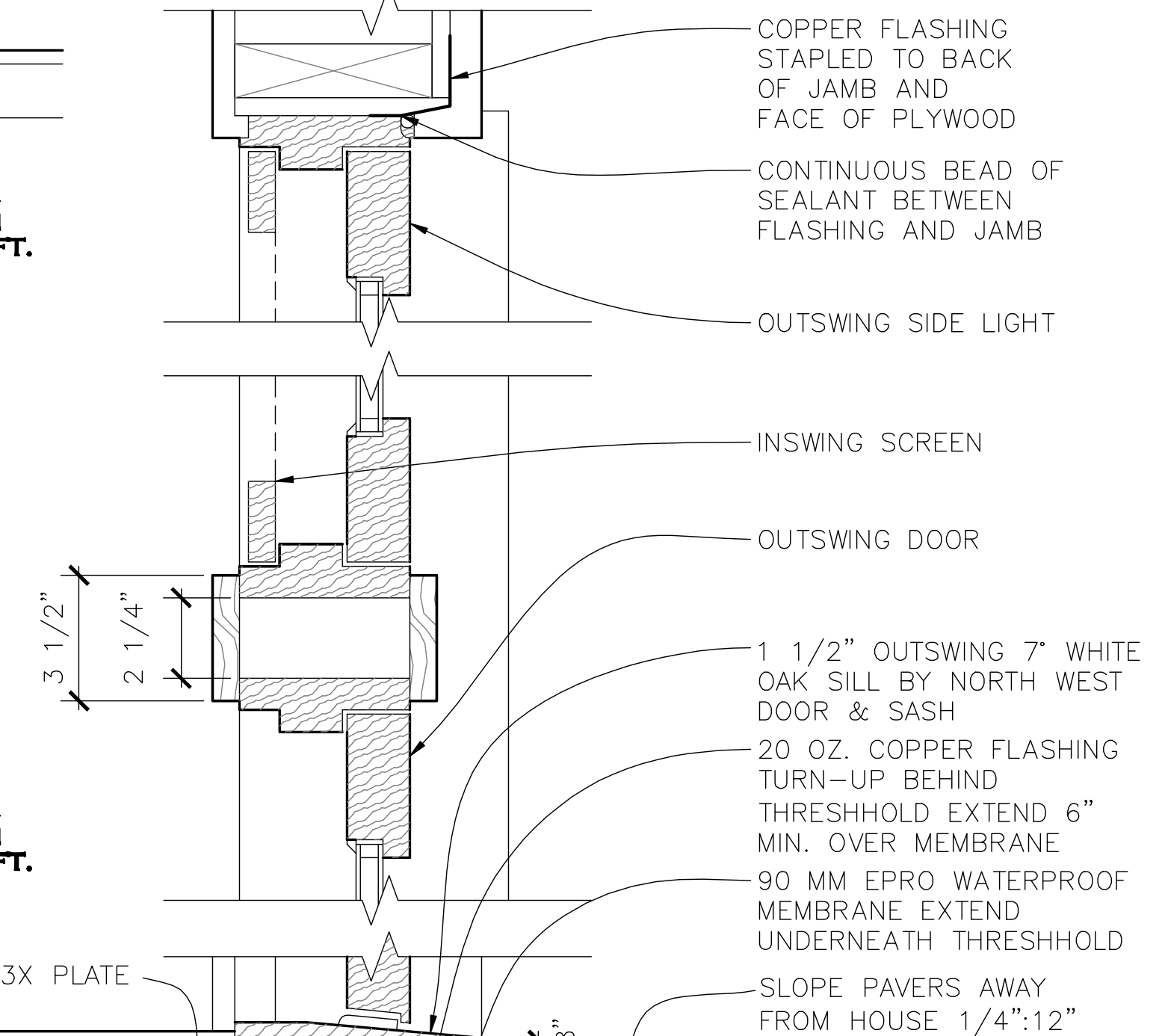
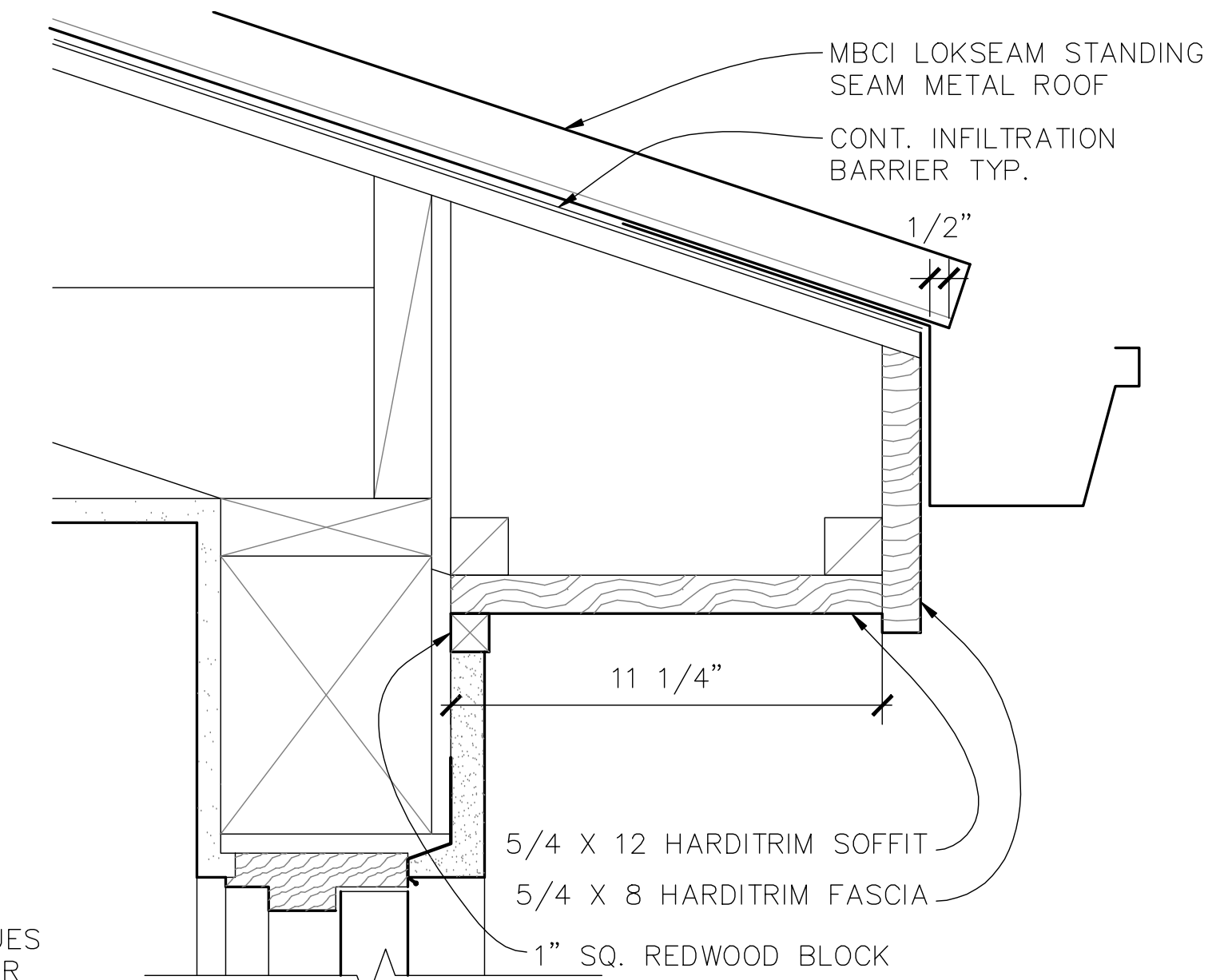
7
A7.5
LIVING ROOM AND SUNROOM CEILING DETAIL
0 6 IN. 1 FT.



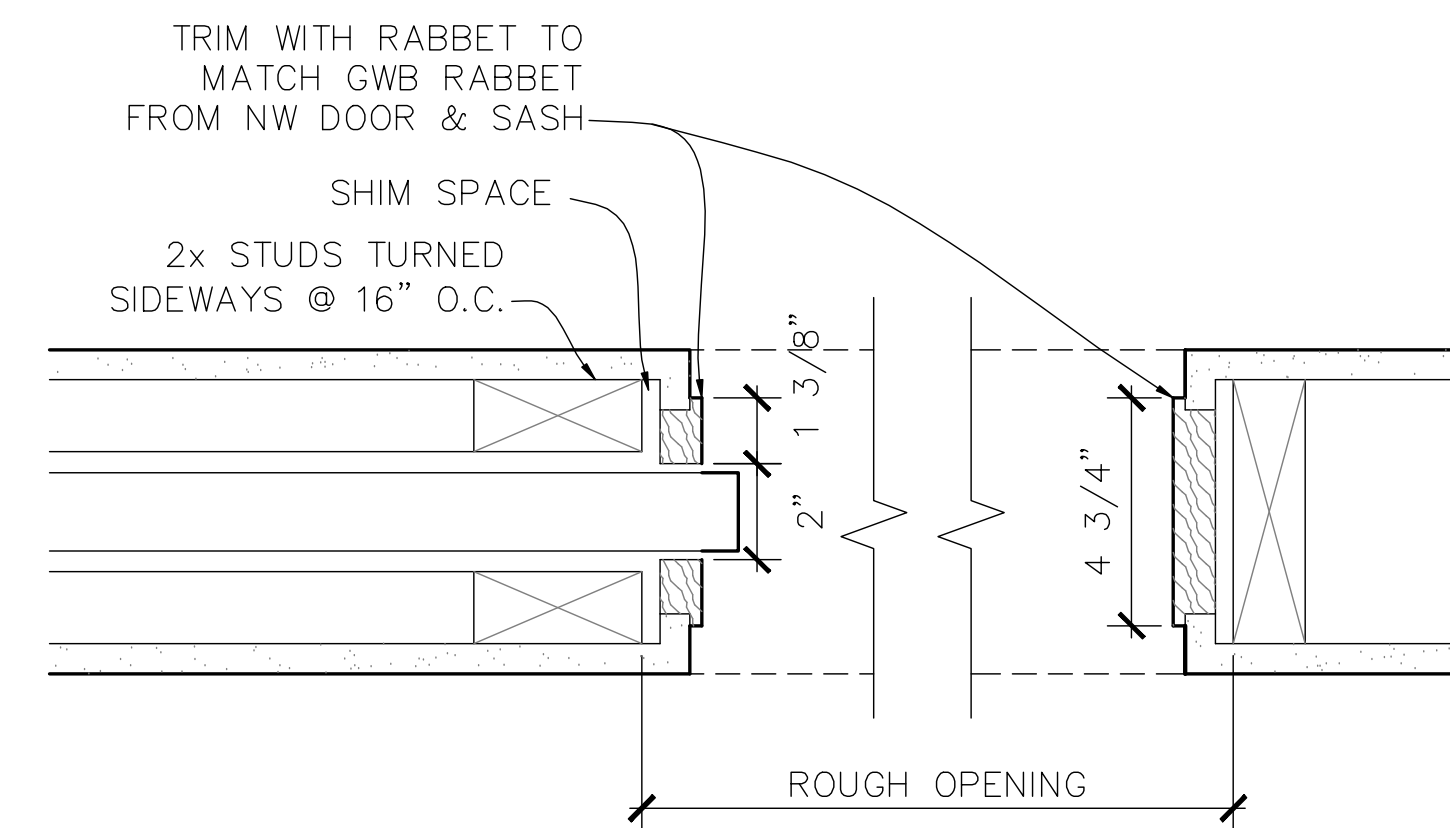
6
A7.5
TYPICAL RAKE DETAIL
0 6 IN. 1 FT.



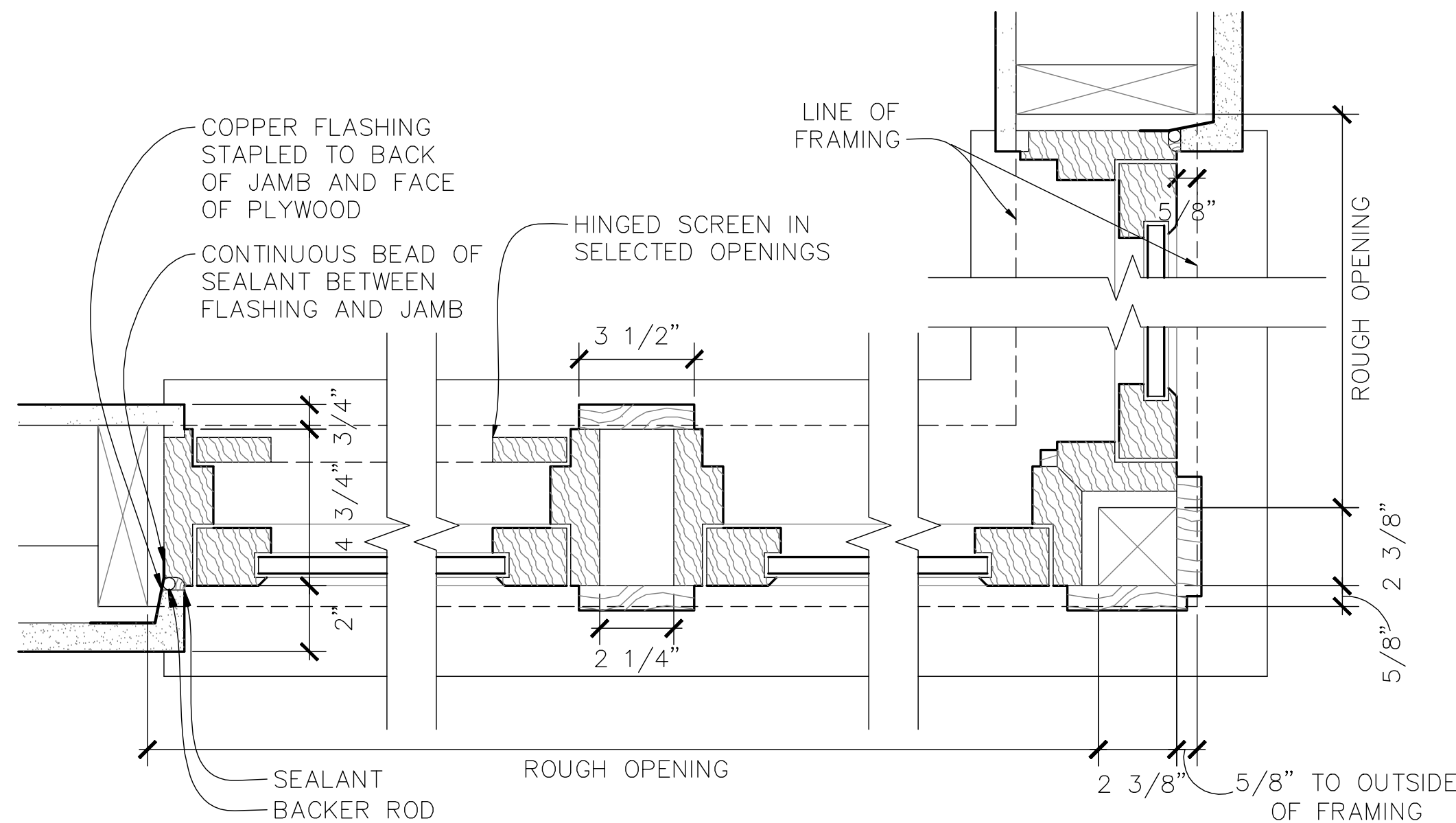
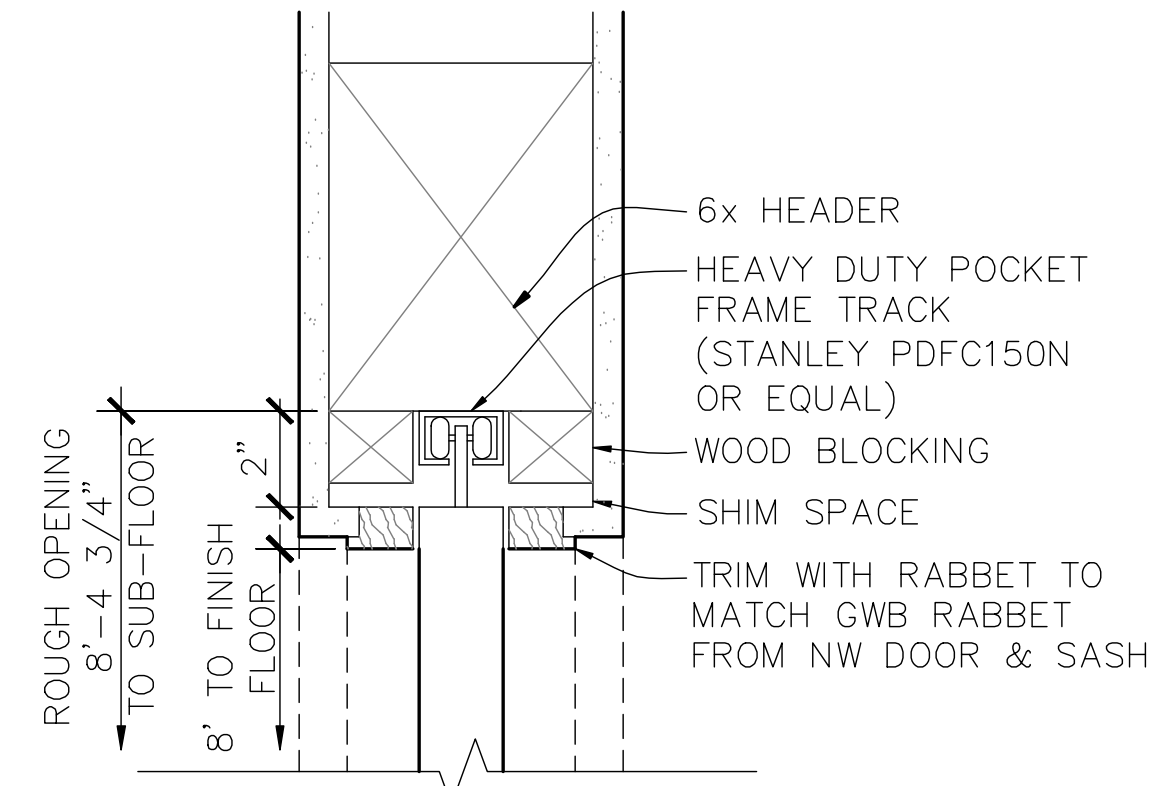
5
A7.5
INTERIOR WINDOW SECTION
0 6 IN. 1 FT.



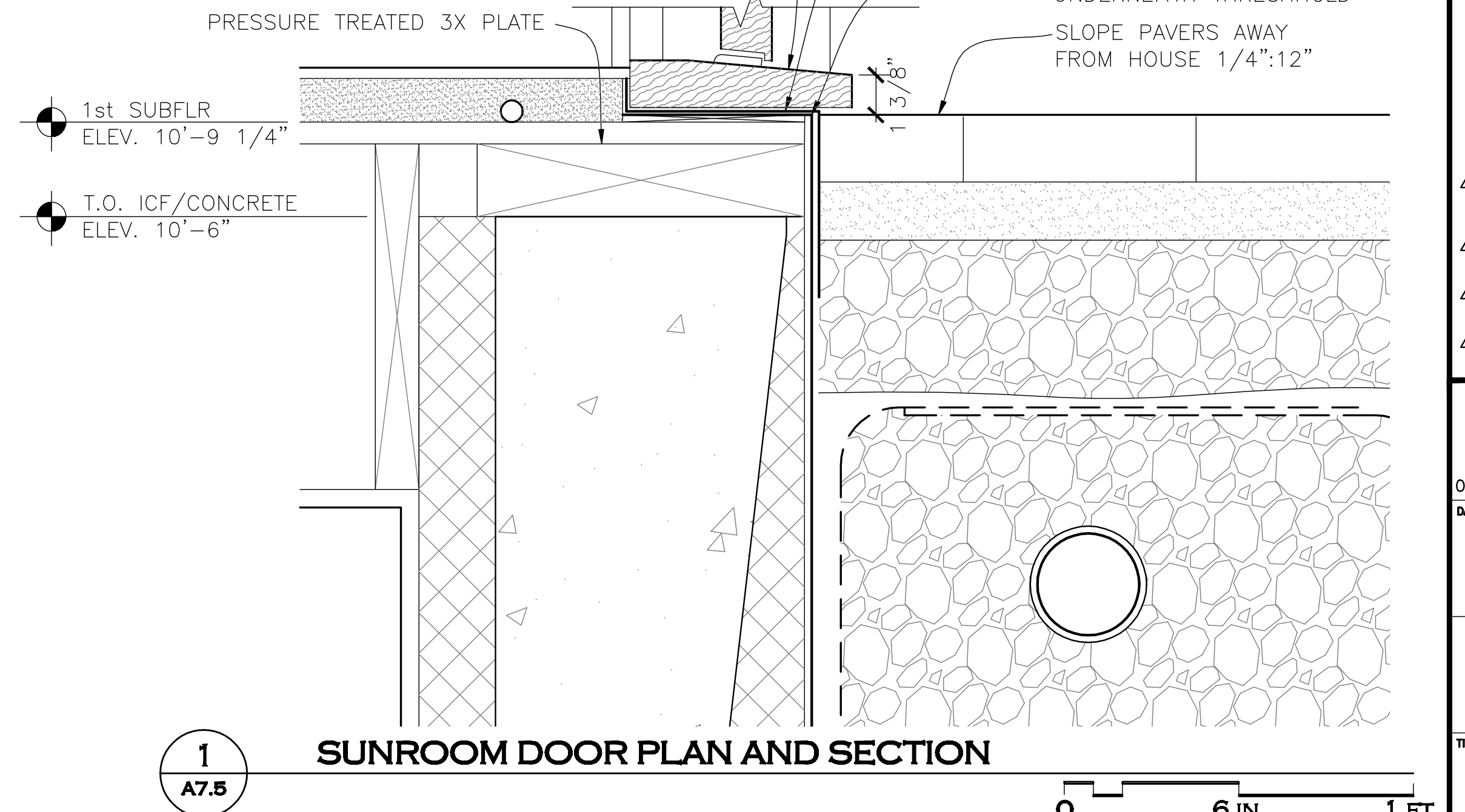
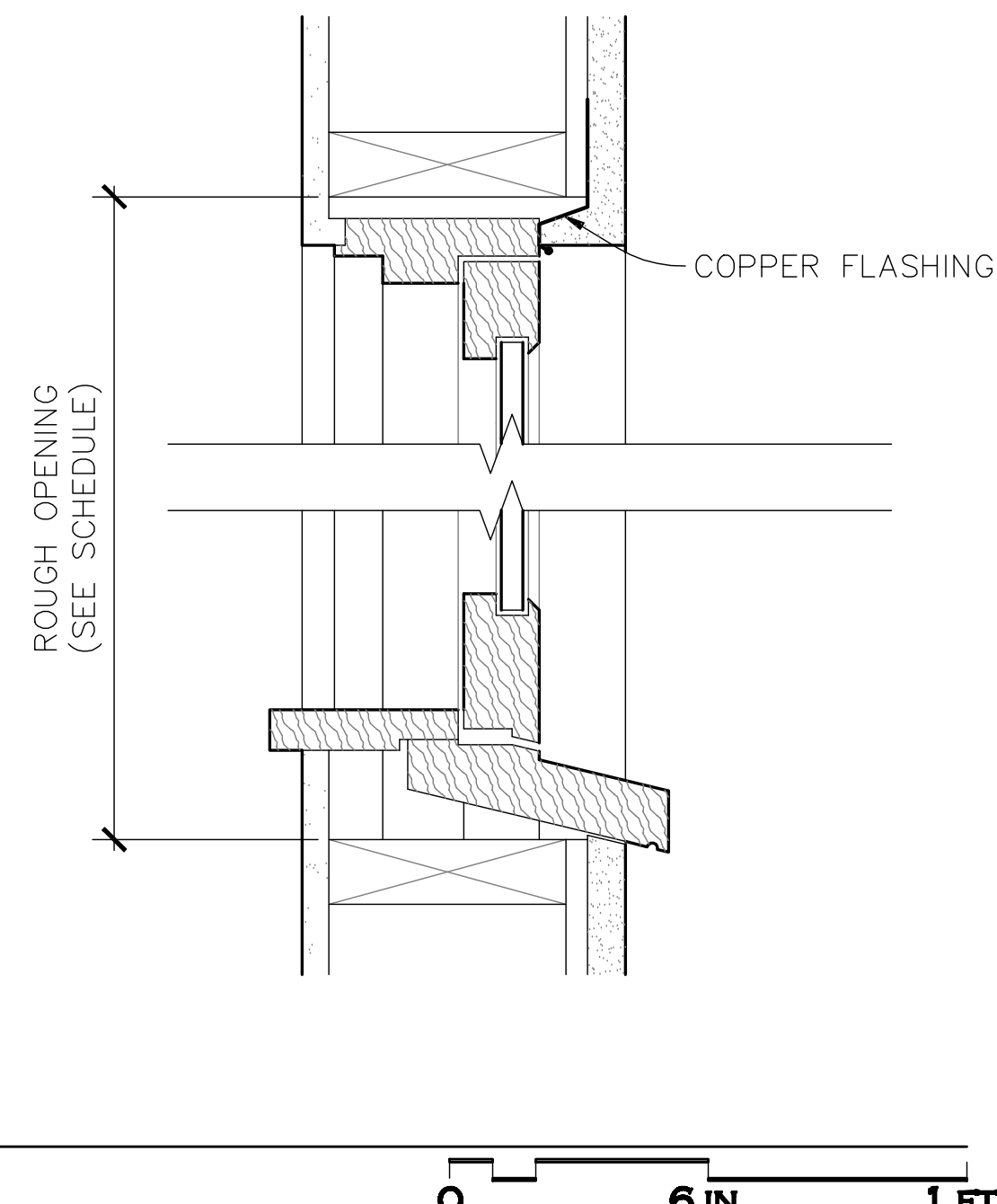
3
A7.5
TYPICAL INTERIOR DOOR HEAD AND JAMB
0 6 IN. 1 FT.



4
A7.5
TYPICAL SLIDING DOOR PLAN AND SECTION
0 6 IN. 1 FT.



2
A7.5
TYPICAL WINDOW PLAN AND SECTION
0 6 IN. 1 FT.



1
A7.5
SUNROOM DOOR PLAN AND SECTION
0 6 IN. 1 FT.

- 11.15.06 WINDOWS AND DOORS, RAMPS AND PLANTERS
- 08.23.06 WINDOWS AND DOORS, ARCH. LIGHTING
- 07.31.06 INSULATING CONCRETE FORMS
- 06.13.06 RESPONSE TO FIRST PLAN CHECK

REVISIONS

07.31.06 DATE MR/TT DRAWN

AS NOTED SCALE